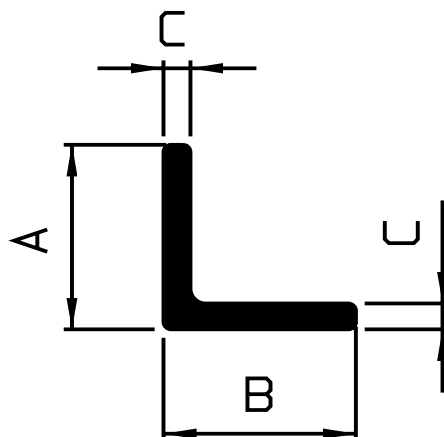
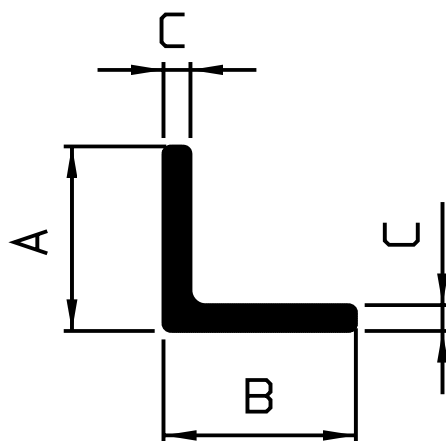


## EQUAL LEG ANGLES



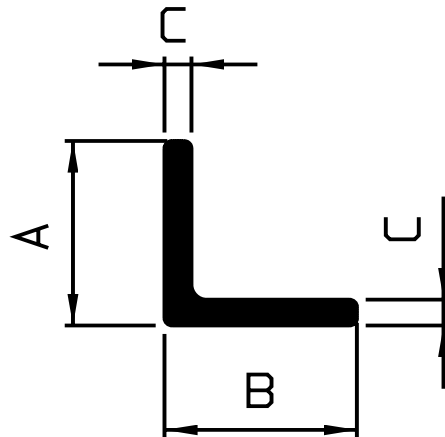
| Dimension / Dimensione<br>( mm ) | Weight / Peso<br>(kg/m) |
|----------------------------------|-------------------------|
| 15 x 15 x 3                      | 0.65                    |
| 30 x 30 x 3                      | 1.35                    |
| 40 x 40 x 4                      | 2.40                    |
| 45 x 45 x 4                      | 2.75                    |
| 45 x 45 x 6                      | 4.00                    |
| 45 x 45 x 8                      | 5.20                    |
| 50 x 50 x 5                      | 3.80                    |
| 50 x 50 x 7                      | 5.10                    |
| 55 x 55 x 6                      | 5.00                    |
| 60 x 60 x 5                      | 4.60                    |
| 60 x 60 x 6                      | 5.50                    |
| 60 x 60 x 7                      | 6.25                    |
| 60 x 60 x 8                      | 7.05                    |
| 60 x 60 x 10                     | 8.70                    |
| 65 x 65 x 5                      | 5.05                    |
| 65 x 65 x 7                      | 6.85                    |
| 65 x 65 x 9                      | 8.70                    |
| 70 x 70 x 6                      | 6.40                    |
| 70 x 70 x 10                     | 10.3                    |
| 80 x 80 x 6                      | 7.35                    |
| 80 x 80 x 10                     | 11.80                   |
| 90 x 90 x 6                      | 8.30                    |

## EQUAL LEG ANGLES



| <b>Dimension / Dimensione</b><br>( mm ) | <b>Weight / Peso</b><br>(kg/m) |
|---|--------------------------------|
| 90 x 90 x 7                             | 9.65                           |
| 90 x 90 x 8                             | 10.90                          |
| 100 x 100 x 6                           | 9.30                           |
| 100 x 100 x 7                           | 10.80                          |
| 100 x 100 x 8                           | 12.20                          |
| 120 x 120 x 6                           | 11.20                          |
| 120 x 120 x 8                           | 14.80                          |
| 120 x 120 x 10                          | 18.10                          |
| 120 x 120 x 12                          | 21.90                          |
| 120 x 120 x 13                          | 23.60                          |
| 130 x 130 x 6                           | 12.20                          |
| 130 x 130 x 8                           | 16.10                          |
| 130 x 130 x 10                          | 20.00                          |
| 130 x 130 x 12                          | 23.80                          |
| 130 x 130 x 13                          | 25.70                          |
| 140 x 140 x 6                           | 13.00                          |
| 140 x 140 x 8                           | 17.20                          |
| 140 x 140 x 10                          | 21.30                          |
| 140 x 140 x 12                          | 25.40                          |
| 150 x 150 x 6                           | 13.90                          |
| 150 x 150 x 8                           | 18.70                          |
| 150 x 150 x 10                          | 22.90                          |

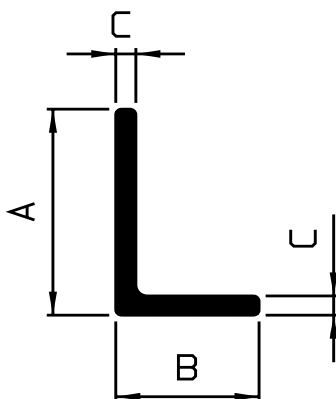
## EQUAL LEG ANGLES



| Dimension / Dimensione<br>( mm ) | Weight / Peso<br>(kg/m) |
|----------------------------------|-------------------------|
| 160 x 160 x 6                    | 14.90                   |
| 160 x 160 x 8                    | 19.70                   |
| 160 x 160 x 10                   | 24.50                   |
| 160 x 160 x 12                   | 28.80                   |
| 160 x 160 x 13                   | 32.00                   |
| 180 x 180 x 6                    | 17.00                   |
| 180 x 180 x 8                    | 22.50                   |
| 180 x 180 x 10                   | 28.00                   |
| 180 x 180 x 12                   | 33.40                   |
| 180 x 180 x 13                   | 36.10                   |
| 200 x 200 x 6                    | 18.90                   |
| 200 x 200 x 8                    | 25.10                   |
| 200 x 200 x 10                   | 31.20                   |
| 200 x 200 x 12                   | 37.20                   |
| 200 x 200 x 13                   | 40.20                   |

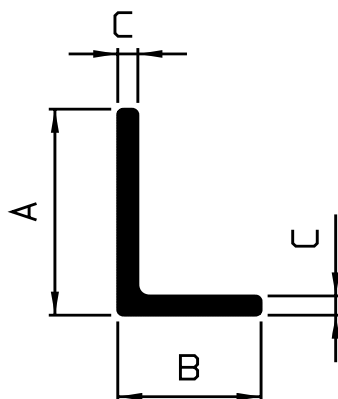
**Note:** Other sizes upon request can be supplied up to 400 mm

## UNEQUAL LEG ANGLES / ANGOLARI



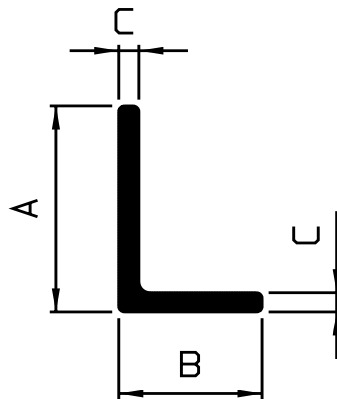
| Dimension / Dimensione<br>( mm ) | Weight / Peso<br>(kg/m) |
|----------------------------------|-------------------------|
| 20 x 10 x 3                      | 0.70                    |
| 25 x 15 x 3                      | 0.90                    |
| 30 x 15 x 3                      | 1.00                    |
| 30 x 20 x 3                      | 1.20                    |
| 30 x 20 x 4                      | 1.50                    |
| 40 x 20 x 3                      | 1.40                    |
| 40 x 20 x 4                      | 1.80                    |
| 40 x 25 x 4                      | 2.00                    |
| 40 x 30 x 4                      | 2.10                    |
| 40 x 30 x 5                      | 2.60                    |
| 45 x 30 x 5                      | 2.80                    |
| 50 x 20 x 4                      | 2.10                    |
| 50 x 25 x 3                      | 1.75                    |
| 50 x 25 x 4                      | 2.30                    |
| 50 x 25 x 5                      | 2.80                    |
| 50 x 30 x 3                      | 1.85                    |
| 50 x 30 x 4                      | 2.45                    |
| 50 x 30 x 5                      | 3.10                    |
| 50 x 40 x 5                      | 3.40                    |
| 55 x 40 x 5                      | 3.60                    |
| 55 x 45 x 6                      | 4.30                    |
| 60 x 30 x 4                      | 2.80                    |

## UNEQUAL LEG ANGLES / ANGOLARI



| <b>Dimension / Dimensione</b><br>( mm ) | <b>Weight / Peso</b><br>(kg/m) |
|---|--------------------------------|
| 60 x 30 x 5                             | 3.40                           |
| 60 x 30 x 6                             | 4.10                           |
| 60 x 30 x 7                             | 4.70                           |
| 60 x 40 x 5                             | 3.80                           |
| 60 x 40 x 6                             | 4.60                           |
| 60 x 40 x 8                             | 5.90                           |
| 65 x 50 x 5                             | 4.40                           |
| 65 x 50 x 7                             | 6.10                           |
| 65 x 50 x 9                             | 7.60                           |
| 70 x 50 x 5                             | 4.60                           |
| 70 x 50 x 6                             | 5.50                           |
| 75 x 50 x 7                             | 6.70                           |
| 75 x 55 x 9                             | 8.70                           |
| 80 x 40 x 5                             | 4.60                           |
| 80 x 40 x 6                             | 5.50                           |
| 80 x 40 x 8                             | 7.10                           |
| 80 x 50 x 5                             | 5.00                           |
| 80 x 65 x 6                             | 6.60                           |
| 80 x 65 x 8                             | 8.70                           |
| 80 x 65 x 10                            | 10.80                          |
| 90 x 50 x 5                             | 5.40                           |
| 90 x 60 x 6                             | 6.90                           |

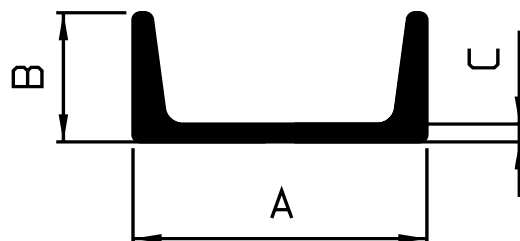
## UNEQUAL LEG ANGLES / ANGOLARI



| Dimension / Dimensione<br>( mm ) | Weight / Peso<br>(kg/m) |
|----------------------------------|-------------------------|
| 90 x 60 x 8                      | 9.00                    |
| 95 x 40 x 5                      | 5.20                    |
| 100 x 50 x 6                     | 6.90                    |
| 100 x 50 x 8                     | 9.10                    |
| 100 x 50 x 10                    | 11.10                   |
| 100 x 65 x 7                     | 8.80                    |
| 100 x 65 x 8                     | 10.00                   |
| 100 x 65 x 9                     | 11.20                   |
| 100 x 65 x 11                    | 13.60                   |
| 100 x 75 x 8                     | 10.80                   |
| 100 x 75 x 9                     | 11.90                   |
| 120 x 80 x 8                     | 12.20                   |
| 120 x 80 x 10                    | 15.20                   |
| 130 x 65 x 8                     | 12.00                   |
| 130 x 65 x 10                    | 14.80                   |
| 130 x 90 x 12                    | 20.00                   |
| 150 x 75 x 10                    | 17.10                   |
| 150 x 100 x 10                   | 19.10                   |
| 150 x 100 x 12                   | 22.80                   |
| 200 x 100 x 12                   | 27.60                   |
| 200 x 100 x 13                   | 29.80                   |

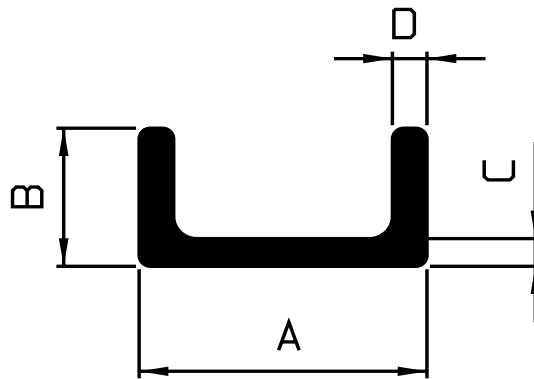
Note: Other sizes upon request can be supplied up to 400 mm

## CHANNELS "UNP"



| Dimension / Dimensione<br>( mm ) | Weight / Peso<br>(kg/m) |
|----------------------------------|-------------------------|
| 20 x 10 x 3 x 3.5                | 0.85                    |
| 30 x 15 x 3 x 3.5                | 1.40                    |
| 30 x 15 x 4 x 4.5                | 1.75                    |
| 40 x 20 x 3 x 3.5                | 1.80                    |
| 40 x 20 x 4 x 4.5                | 2.30                    |
| 40 x 35 x 5 x 7                  | 4.80                    |
| 50 x 25 x 3 x 3.5                | 2.30                    |
| 50 x 25 x 5 x 6                  | 3.90                    |
| 50 x 38 x 5 x 7                  | 5.60                    |
| 60 x 30 x 5 x 5                  | 4.40                    |
| 60 x 30 x 6 x 6                  | 5.10                    |
| 65 x 42 x 5.5 x 7.5              | 7.10                    |
| 80 x 45 x 6 x 8                  | 8.65                    |
| 100 x 50 x 6 x 8.5               | 10.60                   |
| 120 x 55 x 7 x 9                 | 13.40                   |
| 140 x 60 x 7 x 10                | 16.20                   |

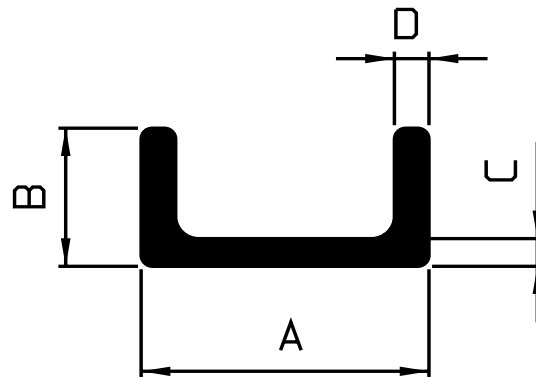
## CHANNELS "UAP"



| <b>Dimension / Dimensione</b><br>( mm ) | <b>Weight / Peso</b><br>(kg/m) |
|---|--------------------------------|
| 20 x 10 x 3 x 3.5                       | 0.90                           |
| 30 x 15 x 3 x 3.5                       | 1.50                           |
| 30 x 15 x 4 x 4                         | 1.70                           |
| 30 x 33 x 5 x 7                         | 4.30                           |
| 40 x 20 x 3 x 3                         | 1.80                           |
| 40 x 20 x 4 x 4                         | 2.30                           |
| 40 x 35 x 5 x 7                         | 5.10                           |
| 50 x 25 x 3 x 3                         | 2.30                           |
| 50 x 25 x 4 x 4                         | 3.00                           |
| 50 x 25 x 5 x 6                         | 3.90                           |
| 50 x 30 x 3 x 3                         | 2.50                           |
| 50 x 38 x 5 x 7                         | 5.70                           |
| 60 x 30 x 4 x 4                         | 3.50                           |
| 60 x 30 x 5 x 5                         | 4.40                           |
| 60 x 30 x 6 x 6                         | 5.20                           |
| 60 x 40 x 4 x 4                         | 4.20                           |
| 65 x 42 x 5.5 x 7.5                     | 7.20                           |
| 80 x 40 x 5 x 5                         | 6.00                           |
| 80 x 40 x 6 x 6                         | 7.10                           |
| 80 x 40 x 8 x 8                         | 9.20                           |
| 80 x 45 x 6 x 6                         | 7.60                           |

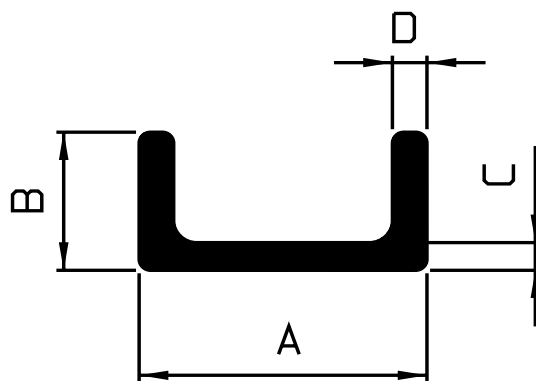


## CHANNELS "UAP"



| <b>Dimension / Dimensione</b><br>( mm ) | <b>Weight / Peso</b><br>(kg/m) |
|---|--------------------------------|
| 80 x 45 x 6 x 8                         | 8.80                           |
| 100 x 40 x 6 x 6                        | 8.00                           |
| 100 x 40 x 8 x 8                        | 10.50                          |
| 100 x 50 x 4 x 4                        | 6.10                           |
| 100 x 50 x 5 x 5                        | 7.70                           |
| 100 x 50 x 6 x 6                        | 9.00                           |
| 100 x 50 x 6 x 8.5                      | 10.80                          |
| 100 x 65 x 8 x 8                        | 13.70                          |
| 120 x 55 x 7 x 7                        | 12.10                          |
| 120 x 55 x 7 x 9                        | 13.60                          |
| 120 x 60 x 6 x 6                        | 11.00                          |
| 130 x 55 x 6 x 9                        | 13.70                          |
| 130 x 65 x 5 x 5                        | 9.90                           |
| 130 x 65 x 6 x 6                        | 11.80                          |
| 140 x 60 x 7 x 10                       | 16.30                          |
| 140 x 60 x 6 x 6                        | 12.90                          |
| 140 x 70 x 7 x 7                        | 15.20                          |
| 140 x 70 x 8 x 8                        | 16.80                          |
| 150 x 65 x 8 x 8                        | 17.00                          |
| 150 x 65 x 7.5 x 10.50                  | 17.90                          |
| 150 x 75 x 6 x 6                        | 13.80                          |
| 150 x 75 x 8 x 8                        | 18.10                          |

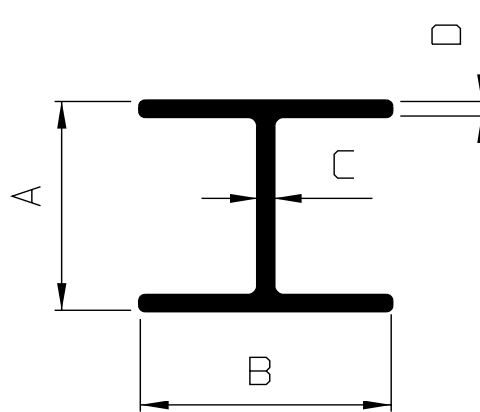
## CHANNELS



| Dimension / Dimensione<br>( mm ) | Weight / Peso<br>(kg/m) |
|----------------------------------|-------------------------|
| 160 x 65 x 7.5 x 10.5            | 18.80                   |
| 160 x 80 x 6 x 6                 | 14.80                   |
| 160 x 80 x 8 x 8                 | 19.40                   |
| 175 x 70 x 7.5 x 10.5            | 21.20                   |
| 180 x 70 x 8 x 11                | 22.00                   |
| 180 x 90 x 6 x 6                 | 16.60                   |
| 180 x 90 x 8 x 8                 | 22.00                   |
| 200 x 75 x 8.5 x 11.5            | 25.30                   |
| 200 x 100 x 6 x 6                | 18.70                   |
| 200 x 100 x 8 x 8                | 24.60                   |
| 200 x 100 x 10 x 10              | 30.40                   |
| 220 x 80 x 9 x 12.5              | 29.70                   |
| 240 x 85 x 9.5 x 13              | 33,50                   |
| 260 x 90 x 10 x 14               | 38.20                   |
| 280 x 95 x 10 x 15               | 42.30                   |
| 300 x 100 x 10 x 16              | 46.50                   |

**Note:** Other sizes upon request can be supplied up to 400 mm

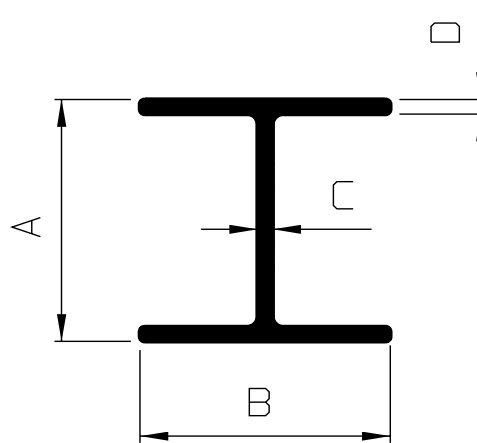
## HEA BEAMS / TRAVI HEA



| Dimension / Dimensione<br>( mm ) | Weight / Peso<br>(kg/m) |
|----------------------------------|-------------------------|
| 96 x 100 x 5 x 8                 | 17.00                   |
| 114 x 120 x 5 x 8                | 20.20                   |
| 133 x 140 x 5.5 x 8.5            | 25.10                   |
| 152 x 160 x 6 x 9                | 31.00                   |
| 171 x 180 x 6 x 9.5              | 36.20                   |
| 190 x 200 x 6.5 x 10             | 42.30                   |
| 210 x 220 x 7 x 10               | 48.60                   |
| 230 x 240 x 7.5 x 12             | 58.50                   |
| 250 x 260 x 7.5 x 12.5           | 63.60                   |
| 270 x 280 x 8 x 13               | 72.90                   |
| 290 x 300 x 8.5 x 13.5           | 80.40                   |

**Note:** Other sizes upon request can be supplied up to 400 mm

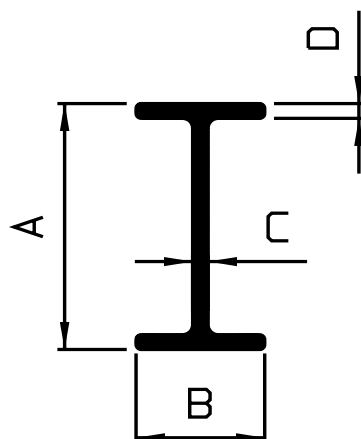
## HEB BEAMS / TRAVI HEB



| Dimension / Dimensione<br>( mm ) | Weight / Peso<br>(kg/m) |
|----------------------------------|-------------------------|
| 100 x 100 x 6 x 10               | 20.80                   |
| 120 x 120 x 6.5 x 11             | 27.20                   |
| 140 x 140 x 7 x 12               | 34.40                   |
| 160 x 160 x 8 x 13               | 43.40                   |
| 180 x 180 x 8.5 x 14             | 52.20                   |
| 200 x 200 x 9 x 15               | 62.50                   |
| 220 x 220 x 9.5 x 16             | 71.50                   |
| 240 x 240 x 10 x 17              | 83.20                   |
| 260 x 260 x 10 x 17.5            | 93.00                   |
| 280 x 280 x 10.5 x 18            | 103.00                  |
| 300 x 300 x 11 x 19              | 117.00                  |

**Note:** Other sizes upon request can be supplied up to 400 mm

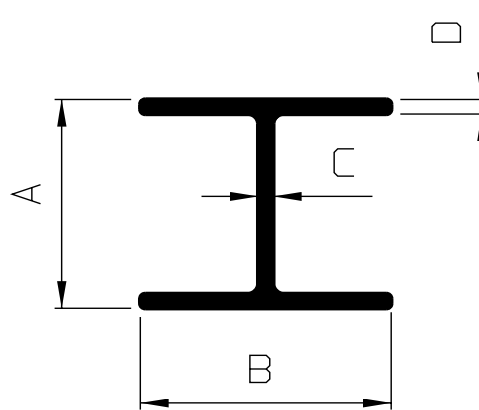
## IPE BEAMS / TRAVI IPE



| Dimension / Dimensione<br>( mm ) | Weight / Peso<br>(kg/m) |
|----------------------------------|-------------------------|
| 80 x 46 x 3.8 x 5.2              | 5.90                    |
| 100 x 55 x 4.1 x 5.7             | 8.00                    |
| 120 x 64 x 4.4 x 6.3             | 10.60                   |
| 140 x 73 x 4.7 x 6.9             | 13.10                   |
| 160 x 82 x 5 x 7.4               | 16.10                   |
| 180 x 91 x 5.3 x 8               | 19.10                   |
| 200 x 100 x 5.6 x 8.5            | 22.8                    |
| 220 x 110 x 5.9 x 9.2            | 26.70                   |
| 240 x 120 x 6.2 x 9.8            | 31.30                   |
| 270 x 135 x 6.6 x 10.2           | 36.70                   |
| 300 x 150 x 7.1 x 10.7           | 43.0                    |
| 330 x 160 x 7.5 x 11.5           | 50.10                   |
| 360 x 170 x 8 x 12.7             | 58.10                   |
| 400 x 180 x 8.6 x 13.5           | 67.60                   |

**Note:** Other sizes upon request can be supplied up to 400 mm

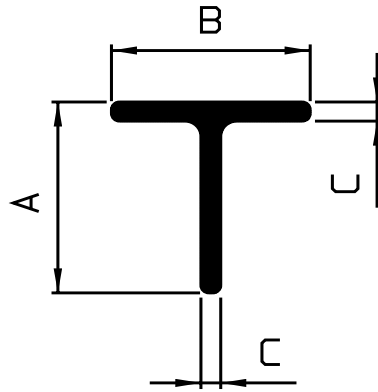
## SPECIAL BEAMS / TRAVI SPECIALI



| Dimension / Dimensione<br>( mm ) | Weight / Peso<br>(kg/m) |
|----------------------------------|-------------------------|
| 80 x 80 x 8 x 8                  | 14.30                   |
| 100 x 100 x 6 x 8                | 16.60                   |
| 100 x 100 x 8 x 8                | 18.20                   |
| 120 x 120 x 10 x 12.5            | 31.60                   |
| 140 x 140 x 9 x 12               | 35.20                   |
| 150 x 150 x 8 x 10               | 31.90                   |
| 200 x 200 x 8 x 12               | 49.00                   |
| 250 x 250 x 9 x 14               | 71.10                   |
| 300 x 300 x 10 x 16              | 97.00                   |

**Note:** Other sizes upon request can be supplied up to 400 mm

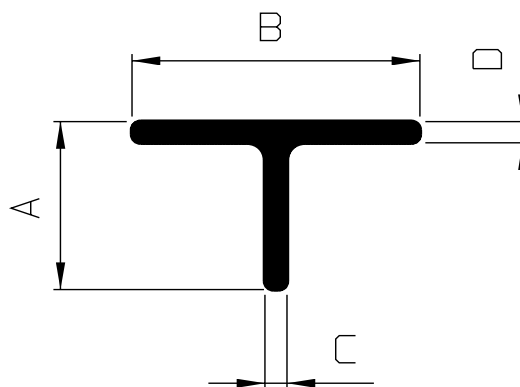
## EQUAL LEG TEE / TEE A LATI UGUALI



| Dimension / Dimensione<br>( mm ) | Weight / Peso<br>(kg/m) |
|----------------------------------|-------------------------|
| 20 x 20 x 3                      | 0.90                    |
| 20 x 20 x 4                      | 1.15                    |
| 25 x 25 x 3                      | 1.12                    |
| 25 x 25 x 4                      | 1.50                    |
| 30 x 30 x 3                      | 1.35                    |
| 30 x 30 x 4                      | 1.78                    |
| 35 x 35 x 3                      | 1.60                    |
| 35 x 35 x 4                      | 2.10                    |
| 40 x 40 x 4                      | 2.40                    |
| 40 x 40 x 5                      | 3.00                    |
| 40 x 40 x 7                      | 4.10                    |
| 50 x 50 x 5                      | 3.80                    |
| 50 x 50 x 6                      | 4.40                    |
| 60 x 60 x 6                      | 5.50                    |
| 70 x 70 x 7                      | 7.50                    |
| 80 x 80 x 8                      | 7.30                    |
| 90 x 90 x 9                      | 9.70                    |
| 100 x 100 x 8                    | 12.30                   |
| 100 x 100 x 10                   | 15.30                   |
| 120 x 120 x 10                   | 18.40                   |
| 120 x 120 x 13                   | 25.10                   |
| 140 x 140 x 10                   | 21.60                   |
| 140 x 140 x 13                   | 27.80                   |
| 140 x 140 x 15                   | 31.80                   |

**Note:** Other sizes upon request can be supplied up to 400 mm

## UNEQUAL LEG TEE / TEE



| Dimension / Dimensione<br>( mm ) | Weight / Peso<br>(kg/m) |
|----------------------------------|-------------------------|
| 20 x 40 x 4 x 4                  | 1.80                    |
| 25 x 50 x 5 x 5                  | 2.80                    |
| 30 x 60 x 5.5 x 5.5              | 3.65                    |
| 35 x 70 x 6 x 6                  | 4.65                    |
| 40 x 60 x 4 x 4                  | 3.20                    |
| 40 x 80 x 7 x 7                  | 6.20                    |
| 50 x 100 x 8.5 x 8.5             | 9.00                    |
| 60 x 120 x 10 x 10               | 12.80                   |

**Note:** Other sizes upon request can be supplied up to 400 mm